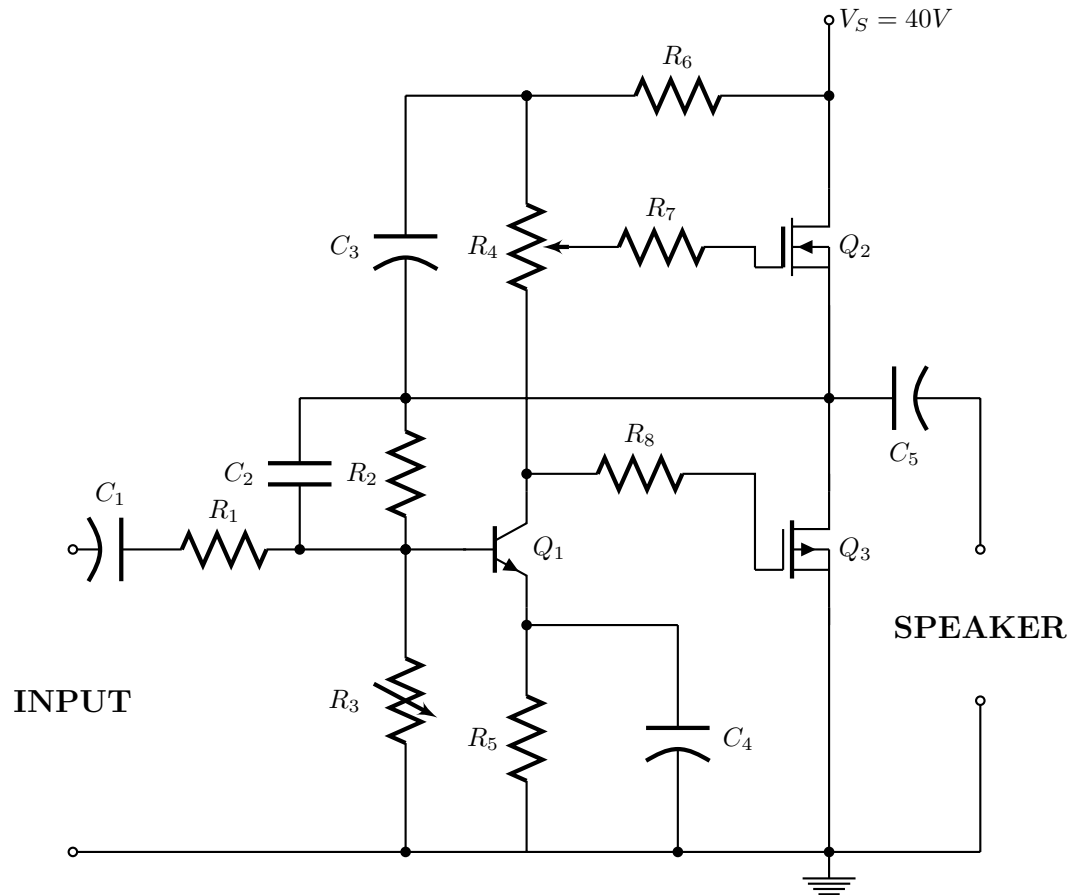


18 Watts Mosfet Amplifier Circuit Diagram



Components:

R1=2.2 k Ω , 1/4 W

R2=27 k Ω , 1/4 W

R3 & R4= 2.2 k Ω , 1/2 W Trimmers

R5=100.1 Ω , 1/4 W

R6=1 k Ω , 1/4 W

R7 & R8= 330 Ω , 1/4 W

C1=22 μ F, 25 V, Electrolytic Capacitance

C2=47 pF, 63 V Polyester or Ceramic Capacitance

C3 & C4= 100 μ F, 50 V, Electrolytic Capacitance

C5= 2200 μ F, 50 V, Electrolytic Capacitance

Q1= NPN Transistor, BC550C

Q2=Power MOSFET, N Channel IRF530 or MTP12N10
Q3=Power MOSFET, P Channel IRF9530 or MTP12P10